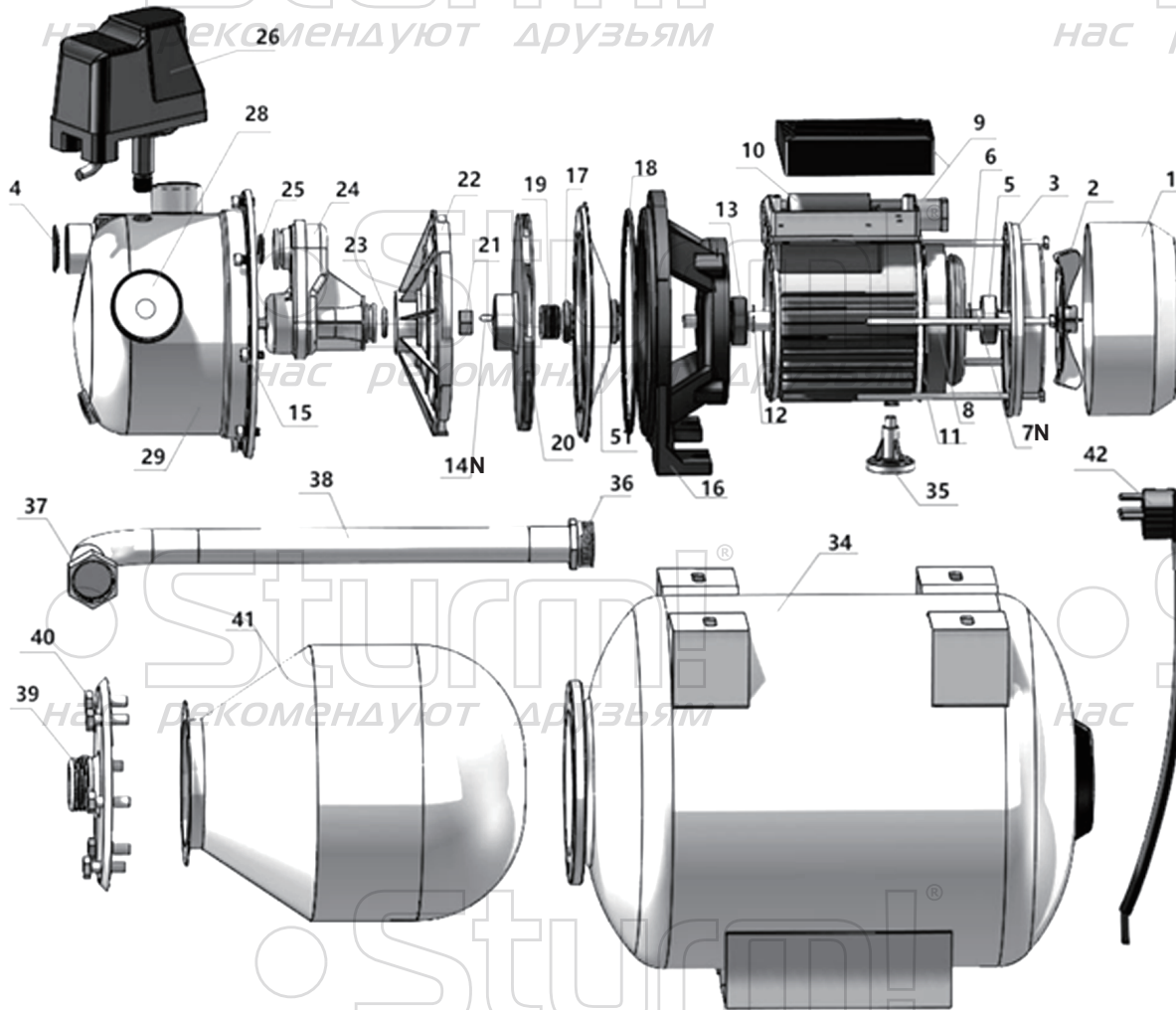


# WP97080ST



| NO. | DESCRIPTION  |
|-----|--|
| 1   | FAN COVER  |
| 2   | FAN  |
| 3   | MOTOR END COVER                                    |
| 4   | OUTLET PROTECTOR PLASTIC COVER                     |
| 5   | BACK BEARING                                       |
| 6   | CIRCLIP  |
| 7N  | SHAFT AND ROTOR ASSEMBLY                           |
| 8   | STATOR WITH COIL ASSEMBLY                          |
| 9   | TERMINAL BOX                                       |
| 10  | CAPACITOR  |
| 11  | MOTOR TIE-ROD                                      |
| 12  | CIRCLIP  |
| 13  | FRONT BEARING                                      |
| 14N | IMPELLER PIN                                       |
| 15  | FIXING BOLT FOR PUMP BODY                          |
| 16  | MOTOR FRONT COVER                                  |
| 17  | MECHANICAL SEAL STATIONARY RING                    |
| 18  | O RING   |
| 19  | MECHANICAL SEAL ROTARY RING                        |
| 20  | IMPELLER   |
| 21  | IMPELLER STOP NUT                                  |
| 22  | DIFFUSER   |
| 23  | O RING FOR VENTURI                                 |
| 24  | VENTURI  |
| 25  | UPPER O RING FOR VENTURI                           |
| 26  | PRESSURE SWITCH                                    |
| 28  | PRESSURE GAUGE                                     |
| 29  | PUMP BODY S.S.                                     |
| 34  | AIR PRESSURE TANK                                  |
| 35  | FOOT BRACKET                                       |
| 36  | OUTLET SOFT CONNECTION                             |
| 37  | AIR PRESSURE TANK CONNECTION                       |
| 38  | CONNECTION TUBE BETWEEN AIR PRESSURE TANK AND PUMP |
| 39  | MEMBRANE FASTENING                                 |
| 40  | AIR TANK FASTENING BOLT                            |
| 41  | MEMBRANE   |
| 42  | POWER CABLE & PLUG                                 |
| 51  | S.S. CONNECTION BAFFLE                             |

WP97080ST-EX-RU250814